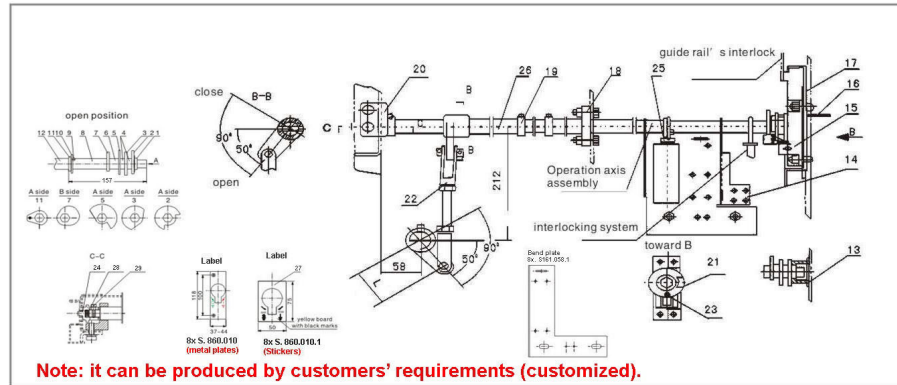


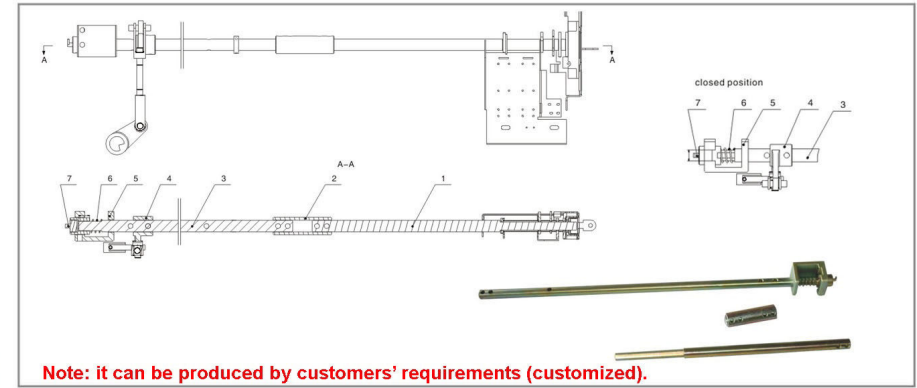
## KYN28A-12(GZS1)

## accessories of middle-placed switchgear KYN28A-12(GZS1)

### Dimension of 12kV Operation mechanism of earthing switches 5x S.363.010.1 (Operated by connecting rod drive)



### Dimension of 12kV Operation mechanism of earthing switches 5x S.363.010.3 (Operated by connecting rod drive)



### Accessories of 12kV operation mechanism of earthing switches 5x S.363.010.1

Item Number	name	code	quantity	Item Number	name	code	quantity
1	bearing	8 x S.263.011	1	15	support saddle	8 x S.043.022	1
2	sector plate	8 x S.192.010	1	16	bend plate	8 x S.161.059	1
3	sector plate	8 x S.192.010	1	17	slide block	8 x S.143.010	2
4	axile bush	8 x S.210.014.1	2	18	bearing	8 x S.211.058	1
5	sector plate	8 x S.151.041	1	19	stop collar	8 x S.211.057	3
6	axile bush	8 x S.211.061	1	20	support saddle	8 x S.043.019	1
7	sector plate	8 x S.151.039	1	21	closing indicator	8 x S.866.010	1
8	axile bush	8 x S.211.062	1	22	connecting rod assembly	8 x S.233.030.1 L=60mm 8 x S.233.030.3 L=80mm	1
9	M5*12 screw M5*12	GB70-85	1	23	opening indicator	8 x S.866.011	1
10	sector plate	8 x S.151.042	1	24	lock tube	8 x S.211.201	1
11	sector plate	8 x S.151.043	1	25	toothed flashboard	8 x S.151.044	1
12	operating axis	8 x S.200.010.1 (its length is 1426mm and can fit the switchgear with depth. 1500mm) 8 x S.200.010.2 (its length is 1588mm and can fit the switchgear with depth. 1600mm)	1	26	axile bush	8 x S.211.060	2
13	cover	8 x S.017.011	1	27	label	8 x S.860.010 8 x S.860.010.1	1
14	bend plate	8 x S.161.058 8 x S.161.058.1 ( optional )	1	28	pressure spring	8W x J.282.201	1
				29	Pin	8YF.933.050.1	1

Note: Item 14: Our standard of bend plate is 8x S.161.058.1.

When you will equipped with blocking electromagnetic lock, please choose bend plate 8x S.161.058.

When you will equipped with blocking electromagnetic lock and interlock operation , please tell us first.

Item 22: the length of connection rod is 60mm, 5 x S.233.030.1 (standard type) the length of connection road is 80mm, 5 x S.233.030.3

### Accessories of 12kV Operation mechanism of earthing switches 5x S.363.010.3

Item Number	name	code	quantity
1	front shaft	8YF.098.184	1
2	connecting bush	8YF.098.186	1
3	back shaft	8YF.098.185 L=841mm(match with depth 1500mm) L=1001mm(match with depth 1660mm)	1
4	connecting assembly	5YF.233.030.1~3	1
5	interlock support	5YF.098.160	1
6	pressure spring	8YF.099.141	1
7	lock tube	8YF.098.187	1

#### Feature:

This operation mechanism is improved based on operation mechanism 5xS.363.010, users do not need to modify any size of switchgears enclosure, it can achieve backdoor interlock.(backdoor is not closed, earthing switch will not be open, the same function as operation mechanism 5xS.363.010.1, it is more reliable and stronger than operation mechanism 5xS.363.010.1, which can minimize the parts damaged by incorrect operation.

If user need emergency unlocking function for backdoor, please specific it.