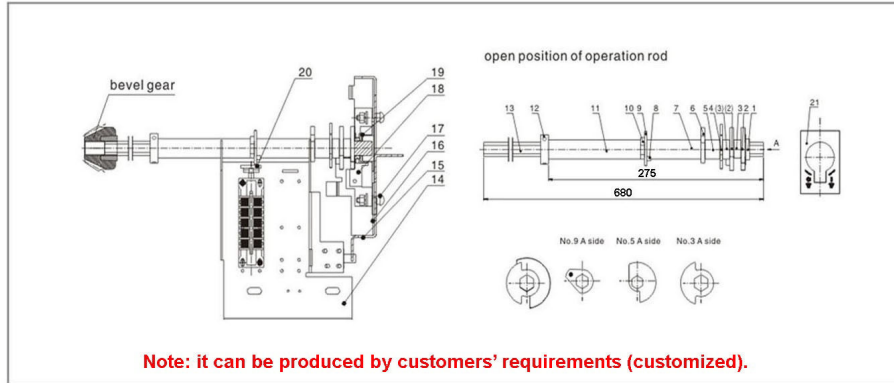


KYN28A-12(GZS1)

Dimension of 12kV operation mechanism of earthing switches 5x. S.577.1001 (Operated by bevel gear mechanism drive)



Accessories of 12kV operation mechanism of earthing switches 5x. S.577.1001

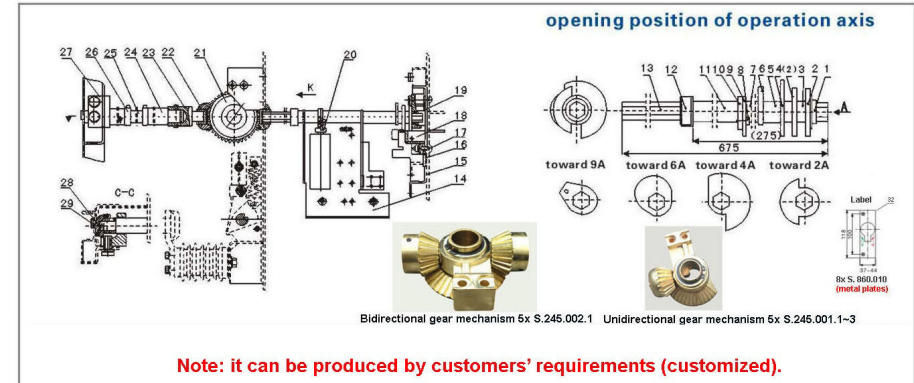
| Item Number | name | code | quantity |
|-------------|-----------------|---------------|----------|
| 1 | bearing | 8 x S.263.011 | 1 |
| 2 | limited plate | 8xS.151.084 | 2 |
| 3 | axile bush | 8xS.210.014.1 | 2 |
| 4 | sector plate | 8xS.151.041 | 1 |
| 5 | axile bush | 8xS.210.061 | 1 |
| 6 | sector plate | 8xS.151.039 | 1 |
| 7 | axile bush | 8xS.211.062 | 1 |
| 8 | screw M5x12 | GB70-85 | 1 |
| 9 | sector plate | 8xS.151.042 | 1 |
| 10 | sector plate | 8xS.151.043 | 1 |
| 11 | axile bush | 8xS.210.014.3 | 1 |
| 12 | limit bush | 8xS.210.322 | 1 |
| 13 | operation shaft | 8xS.174.214 | 1 |
| 14 | bend plate | 8xS.161.058 | 1 |
| 15 | bend plate | 8xS.161.059 | 1 |
| 16 | slider | 8xS.143.010 | 1 |

| Item Number | name | code | quantity |
|-------------|--------------------|---------------|----------|
| 17 | screw M6x25 | GB12-88 | 1 |
| 18 | support | 8xS.043.022 | 2 |
| 19 | cover | 8xS.017.011 | 1 |
| 20 | toothed flashboard | 8 x S.151.044 | 1 |
| 21 | label | 8xS.860.010 | 1 |

Note:
1. It excludes bevel gear mechanism.
2. It includes bend plates 8xS.161.874 and fixed block 8xS.143.501

accessories of middle-placed switchgear KYN28A-12(GZS1)

Dimension of 12kV operation mechanism of earthing switches: 5x S.577.1002 (Operated by unidirectional bevel gear mechanism 8x S.245.001.1~3 5x S.577.1002.1 (Operated by bidirectional bevel gear mechanism 8x S.245.002.1)



Accessories of 12kV operation mechanism of earthing switches:

| Item Number | name | code | quantity | Item Number | name | code | quantity |
|-------------|----------------------------|-----------------|----------|-------------|---|--|----------|
| 1 | bearing | 8 x S.263.011 | 1 | 19 | cover | 8 x S.017.011.2 | 1 |
| 2 | limiting plate | 8 x S.151.084 | 2 | 20 | toothed flashboard | 8 x S.151.044 | 1 |
| 3 | axile bush | 8 x S.210.014.1 | 2 | 21 | Unidirectional gear mechanism Bidirectional gear mechanism | 8x S.245.001.1~3 8x S.245.002.1 | 1 |
| 4 | sector plate | 8 x S.151.041 | 1 | 22 | connection block | 8 x S.143.108.2 | 1 |
| 5 | axile bush | 8 x S.210.061 | 1 | 23 | connection sleeve | 8 x S.259.001.1 | 1 |
| 6 | sector plate | 8 x S.151.039 | 1 | 24 | axile bush | 8 x S.211.060 | 2 |
| 7 | axile bush | 8 x S.211.062 | 1 | | operating axis | 8 x S.200.011.1 (fit 1500 deep panel) | |
| 8 | M5 x 12 screw | GB70-85 | 1 | | (fit5 x S.577.1002) | 8 x S.200.011.2 (fit1660 deep panel) | 1 |
| 9 | sector plate | 8 x S.151.042 | 1 | 25 | operating axis | 8 x S.200.012.1 (fit1500 deep panel) | |
| 10 | axile bush of sector plate | 8 x S.151.043 | 1 | | (fit5 x S.577.1002.1) | 8 x S.200.012.2 (fit1660 deep panel) | |
| 11 | stop collar | 8 x S.210.014.3 | 1 | 26 | stop collar | 8 x S.211.057 | 2 |
| 12 | operating arm | 8 x S.210.322 | 1 | 27 | support saddle | 8 x S.043.019.7 | 1 |
| 13 | bend plate | 8 x S.174.214 | 1 | 28 | pressure spring | 8W x J.282.201 (fit 5 x S.577.1002.1) | 1 |
| 14 | bend plate | 8 x S.161.058 | 1 | | lock tube | 8W x J.211.059 (fit 5 x S.577.1002) | 1 |
| 15 | slide block | 8 x S.161.059 | 1 | | 8W x J.211.201 (fit 5 x S.577.1002.1) | | |
| 16 | M6 x 25 screw | 8 x S.143.010 | 1 | 30 | bend plate | 8 x S.161.874 | 1 |
| 17 | support saddle | .GB12-88 | 1 | 31 | fixed block | 8 x S.143.501 | 1 |
| 18 | cover | 5 x S.043.022 | 2 | 32 | label | 8 x S.860.010 | 1 |