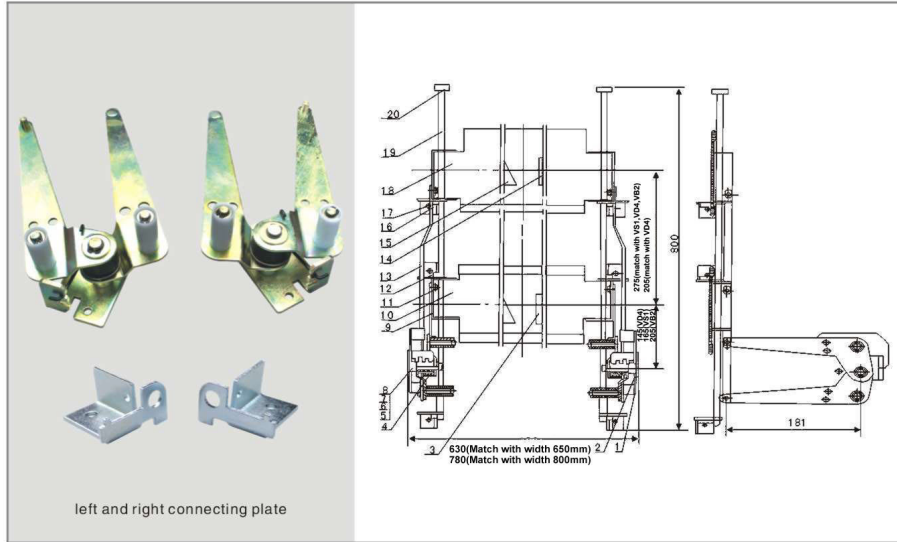


KYN28A-12(GZS1)

Dimension of 12kV Shutter mechanism 5x S.320.010
(It's used for width 650mm, 800mm switchgears that equipped with VS1, VD4, VB2, TZNH)



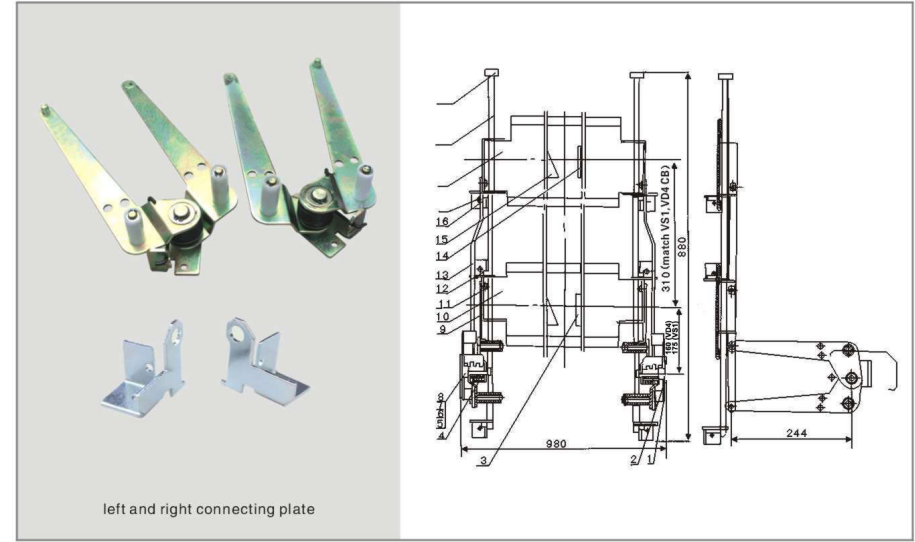
Accessories of 12kV Shutter mechanism 5x S.320.010
(It's used for width 650mm, 800mm switchgears that equipped with VS1, VD4, VB2, TZNH)

Item number	name	code	quantity piece/set	Item number	name	code	quantity piece/set
1	right support	8 x S.123.011	1	11	baffle plate 8	DK-8	8
2	right connecting plate	5 x S.235.011	1	12	supporting plate	8 x S.123.013	3
3	direction board	8 x S.866.014	1			5 x S.174.015.1 (fil VD4 - 40KA)	
4	left connecting plate	5 x S.235.010	1			5 x S.174.015.2 (fil VD4 - 31.5KA)	
5	washer 6	GB97.1-85	16	13	welding connection of connecting plates	5 x S174.015.3 (fil VS1, TZNH)	2
6	elastic washer	GB93-87	10			5 x S174.015.4 (fil VB2)	
7	bolt M6 x 12	GB5783-86	10	14	direction board	8 x S.866.012	1
8	left support	8 x S.123.010	1	15	direction board	8 x S866.013	2
	welding connection of connecting plates	5 x S.174.016.1 (fil VD4)		16	supporting plate	8 x S123.012	3
		5 x S.174.016.2 (fil VS1)	2	17	nut M6	GB6170-86	6
		5 x S.174.016.3 (fil VB2)				8 x S.320.011 (800mm)	
		8 x S320.010 (800mm)		18	upper shutter (SMC or Metal)	8 x S.320.011.1 (650mm)	1
		8 x S320.011.1 (650mm)				8 x S.320.011.2 (840mm)	
10	lower shutter (SMC or Metal)	8 x S320.011.2 (840mm)	1			8 x S.320.011.3 (900mm)	
		8 x S320.011.3 (900mm)				8 x S.320.011.4 (1000mm)	
		8 x S320.011.4 (1000mm)		19	guide rod	8 x S.234.011 (fit VD4, VS1, TZNH)	2
						8 x S.234.011.1 (fit VB2)	
				20	stop collar	8 x S.210.011	2

Note: There are two types of material for item 10 and item 18, one is SMC, another one is metal. Please specific it when you order it.

accessories of middle-placed switchgear KYN28A-12(GZS1)

Dimension of 12kV Shutter mechanism 5x S.320.011
(It's used for width 1000mm switchgears that equipped with VS1, VD4, TZNH)



Accessories of 12kV Shutter mechanism 5x S.320.011
(It's used for width 1000mm switchgears that equipped with VS1, VD4, TZNH)

Item number	name	code	quantity piece/set	Item number	name	code	quantity piece/set
1	right support	8 x S.123.276	1	11	baffle plate 10	DK-10	8
2	right connecting plate	5 x S.235.012	1	12	supporting plate	8 x S.123.278	3
3	direction board	8 x S.866.014	1	13	welding connection of connecting plates	5 x S.174.282	2
4	left connecting plate	5 x S.235.013	1	14	direction board	5 x S.866.012	1
5	washer 6	GB97.1-85	16	15	direction board	5 x S866.013	2
6	elastic washer	GB93-87	10	16	supporting plate	5 x S123.277	3
7	bolt M6 x 12	GB5783-86	10	17	nut M6	GB6170-86	6
8	left support	8 x S.123.275	1			8 x S.320.274	1
9	welding connection of connecting plates	5 x S.174.281	2	18	upper shutter (SMC or Metal)	8 x S.320.274.1 (800mm)	
		5 x S.320.273				8 x S.320.274.2 (1000mm)	
10	lower shutter (SMC or Metal)	8 x S320.273.1 (800mm)	1	19	guide rod	8 x S.234.272	2
		8 x S320.273.2 (1000mm)		20	stop collar	8 x S.210.011	2

Note: There are two types of material for Item 10 and item 18, one is SMC, another one is metal. Please specific it when you order it.